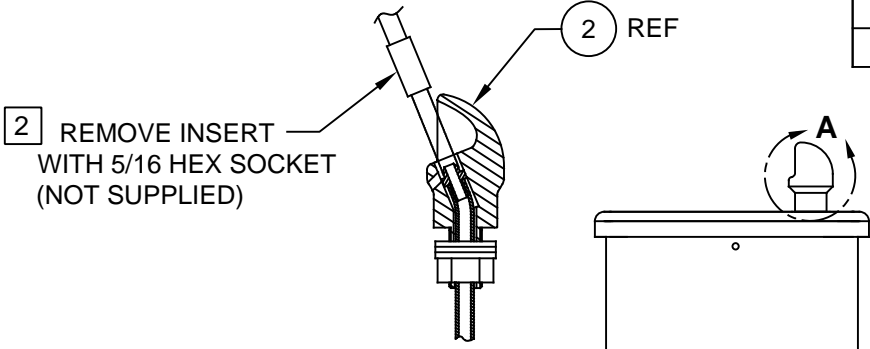


NOTES:

- 1 5874PB (ITEM 3) INCLUDES VRK5874 CARTRIDGE ASSEMBLY (ITEM 4) AND PBA7 RECESSED PUSH BUTTON (ITEM 5).
- 2 ENSURE TUBE IS DISCONNECTED FROM PUSH BUTTON VALVE BODY PRIOR TO REMOVAL. APPLY ONE DROP OF LOCTITE 222MS TO NOZZLE THREADS PRIOR TO FASTENING BACK ONTO BUBBLER HEAD. RE-ATTACH TUBE TO VALVE.

ITEM	DESCRIPTION	PART NO.
1	STRAINER	6452
2	BUBBLER HEAD	5703M
3	BUTTON, PUSH, REC W/ VALVE	5874PB
4	VALVE REPAIR KIT	VRK5874
5	BUTTON, ASSY, PUSH, 5874	PBA7
6	BOTTOM PLATE	PBM1035
7	DOOR KEY, TEE	0002049640
8	KEY, 5/32" HEX PINNED	0002981127
9	SANDTRAP (OPTIONAL)	6635
10	PLATE, MTG, 3500 SERIES (OPTIONAL)	MTG.3500
11	MOUNTING SYSTEM (OPTIONAL)	MTG.3501



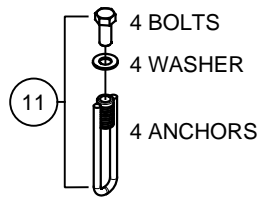
2 REMOVE INSERT WITH 5/16 HEX SOCKET (NOT SUPPLIED)

DETAIL A
ROTATED 90° INTO VIEW

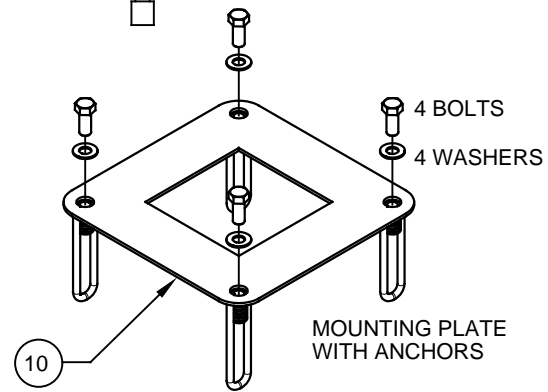
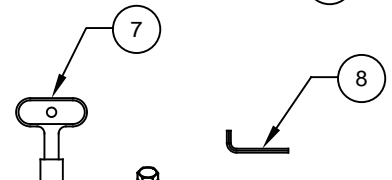
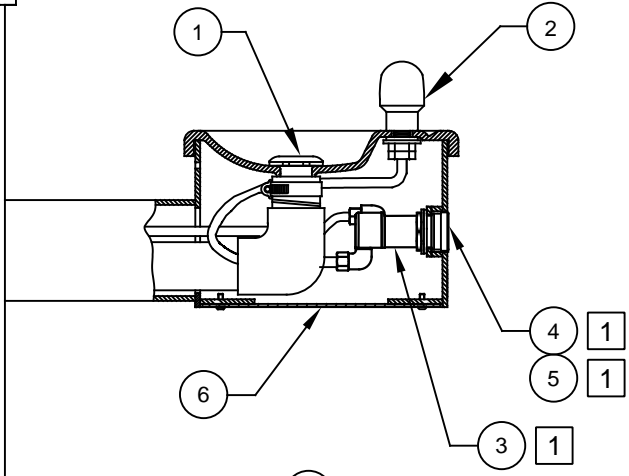
1/2" NPT SCREWDRIVER STOP (NOT SUPPLIED)

SAND TRAP MODEL 6635 W/ MOUNTING PLATE (OPTIONAL)

PET PEDESTAL STANDARD WITH MODEL 3500D ONLY



MODEL MTG.3501 KIT MOUNTING SYSTEM (OPTIONAL)



MODEL MTG.3500 KIT MOUNTING PLATE (OPTIONAL)

PARTS BREAKDOWN



Postadress:

TRÄDGÅRDSTEKNIK AB
Helsingborgsvägen 578, Varalöv
262 96 ÄNGELHOLM

Telefon : 0431-222 90
Bg.nr : 5743-7980
Org.nr : 556409-6120

URL:

www.tradgardsteknik.se
E-postadress:
info@tradgardsteknik.se