

## Strainer

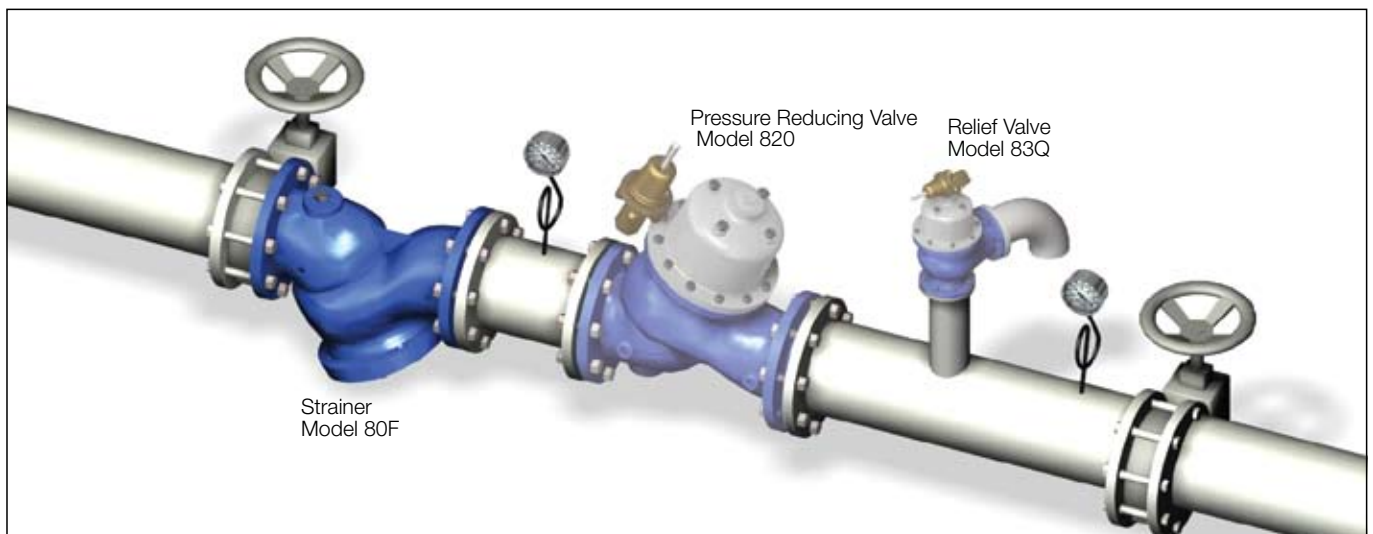
### Model 80F

The BERMAD 80F Strainer is designed to remove foreign matter such as stones, sticks etc. from the pipeline. It is recommended to install the Strainer upstream from control valves, flow meters and other system appliances.

- Large trap capacity
- Low pressure loss
- Blow-off port for easy cleaning

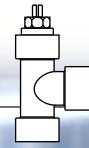


### Typical Application



### Maintenance Tips

- It is recommended to install a full-bore Ball Valve at the Strainer blow-off port for easy cleaning.
- Should disassembly for maintenance be required; leave the lower cover-screw half-open. This way it can serve as an axis for pivoting the Strainer cover, easing maintenance.

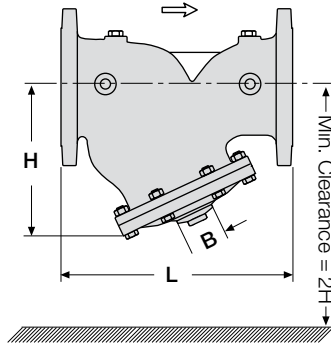


## Technical Data

### Dimensions and Weights

Size		L		H		W		B
mm	inch	mm	inch	mm	inch	kg	lbs	mm
40	1 1/2"	205	8.1	125	4.9	7.8	17.2	3/4"
50	2	210	8.3	125	4.9	10	22.0	
65	2 1/2"	222	8.7	125	4.9	12.8	28.2	
80	3"	264	10.4	170	6.7	20	44	1 1/2"
100	4"	335	13.2	210	8.3	34	75	
150	6"	433	17.0	270	10.6	58	128	2"
200	8"	524	20.6	330	13.0	95	210	
250	10"	637	25.1	420	16.5	153	337	
300	12"	762	30.0	480	18.9	266	586	
350	14"	767	30.2	480	18.9	288	635	
400	16"	1024	40.3	620	24.4	590	1300	3"
450	18"	1030	40.5	620	24.4	735	1620	
500	20"	1136	44.7	620	24.4	835	1840	

B - Blow-off port



### Basket Hole Diameter (mm)

#### Stainless Steel 304 (Standard)

2"	3-4"	6-20"
1.5	3.0	5.0

#### Stainless Steel 316 (Optional)

2-6"	8-20"
2.0	3.0

## Specifications

**Patterns:** "Y" (globe) & angle

**Size Range:** 1 1/2" - 20" (40-500 mm)

**End Connections (Pressure Ratings):**

**Flanged:** ISO PN40 ; ANSI Class 300, 400

**Threaded:** BSP or NPT

**Others:** Available on request

**Working Temperature:** Water up to 80°C (180°F)

**Standard Materials:**

**Body:** Cast Steel

**Cover:** Steel

**Screen / Basket:** Stainless Steel 304

**Seals:** NBR

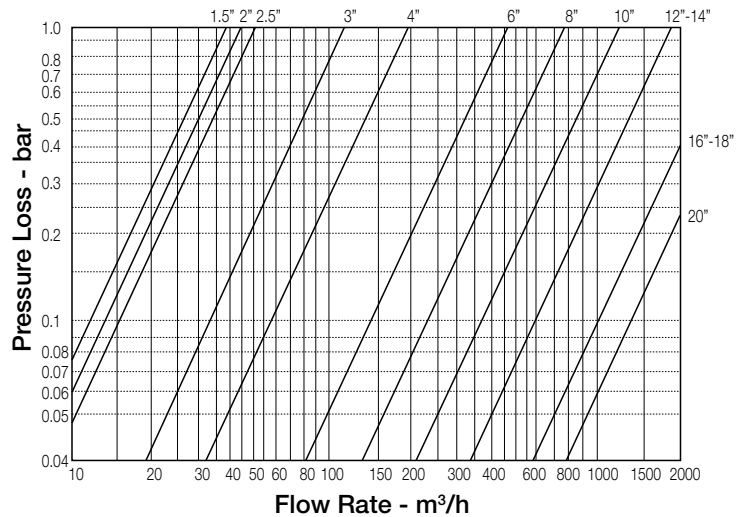
**Coating:**

Fusion Bonded Epoxy, RAL 5005 (Blue)

NSF & WRAS approved or Electrostatic Polyester

Powder, RAL 6017 (Green)

### Flow Chart



## How to Order

Sector	Size	Primary Feature	Pattern	Body Material	End Connections	Coating	Additional Attributes
WW	6"	80F	Y	S	40	EB	mN
Waterworks	1 1/2" - 20"	Strainer	Oblique (up to 20") Y Angle (up to 18") A	Cast Steel St. Steel 316	S N ISO-40 ANSI-300 40 A3	Polyester Green PG Polyester Blue PB Epoxy FB Blue EB Uncoated UC	St. Steel 316 bolts & nuts m St. Steel 316 screen N



Trädgårdsteknik AB  
Helsingborgsvägen 578  
262 96 ÄNGELHOLM  
Telefon: 0431-222 90  
Telefax: 0431-222 70  
info@tradgardsteknik.se  
www.tradgardsteknik.se