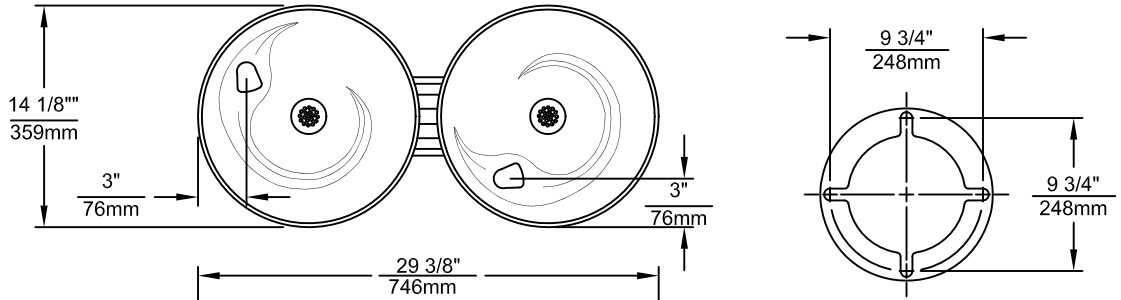


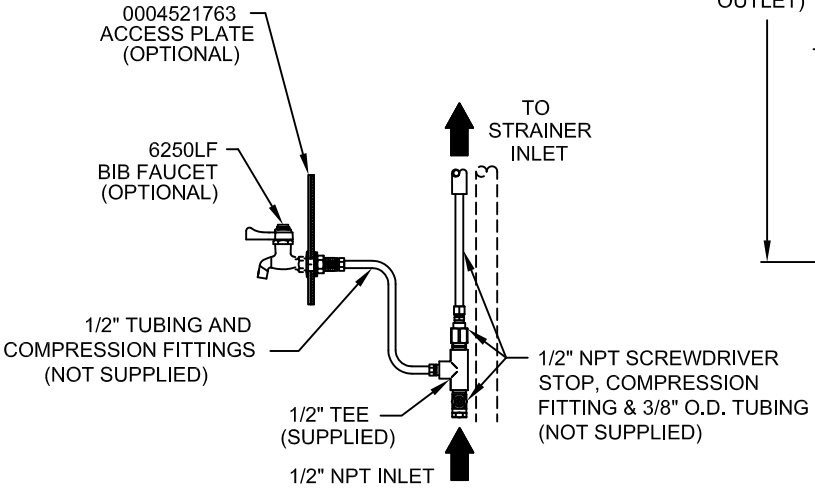
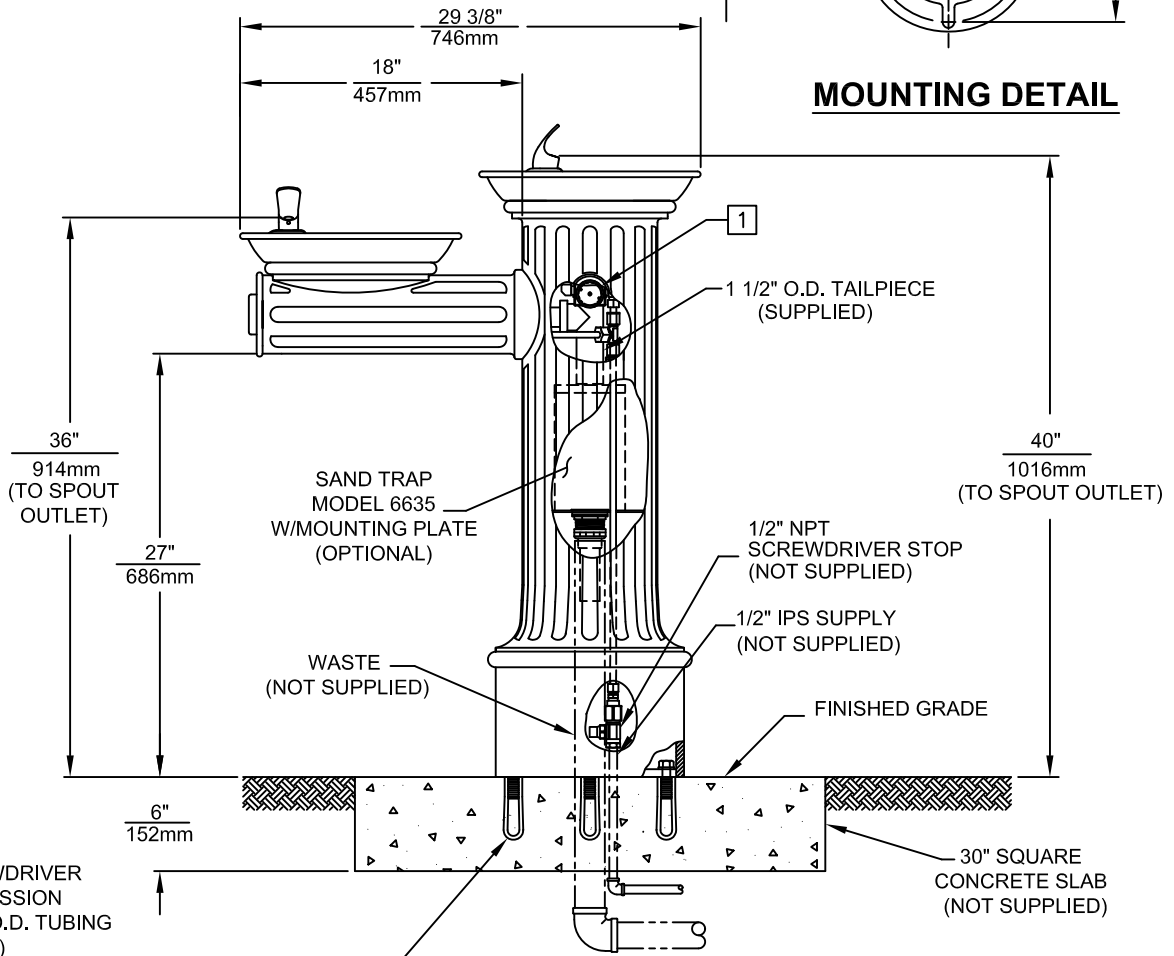
THIS DOCUMENT IS TRUE AND CORRECT AT TIME OF PUBLICATION. CONTINUED PRODUCT IMPROVEMENTS MAKE SPECIFICATIONS AND MEASUREMENTS SUBJECT TO CHANGE WITHOUT NOTICE.

**NOTES:**

- 1. REFER TO 5874SS OPERATION AND MAINTENANCE MANUAL FOR PUSH BUTTON AND VALVE INSTALLATION/MAINTENANCE INSTRUCTIONS.



**MOUNTING DETAIL**



**BIB FAUCET DETAIL**

1455 KLEPPE LANE  
SPARKS, NEVADA 89431  
(775) 359-4712 FAX (755) 359-7424  
E-MAIL: HAWS@HAWSCO.COM  
WEBSITE: WWW.HAWSCO.COM

ECN NO. REVISED PER BY:		MODEL(S)		PART NUMBER	
ECN: 4646		HM		0002074001.D	
DRAWN:	DATE:	CHKD.:	3511		DRAWING NO.
P.M.	5/3/00				14681A00
APPROVED:	DATE:	SCALE: 1:14		DRAWING TYPE: INSTALLATION	SIZE: A SHEET 1 OF 1