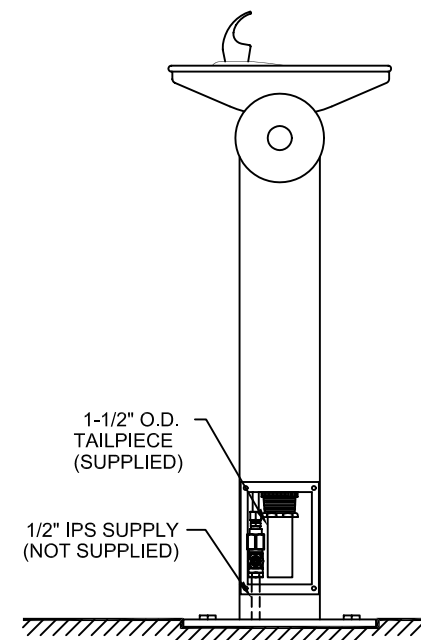
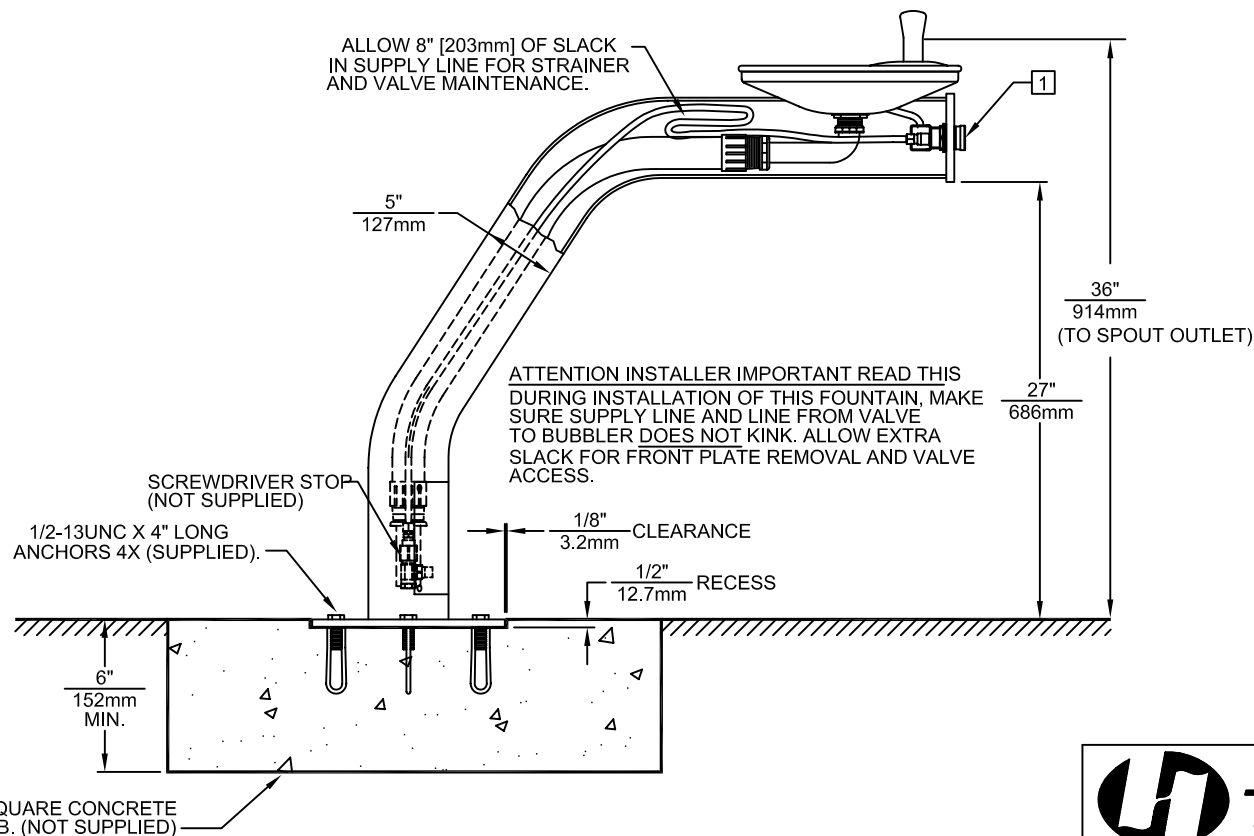
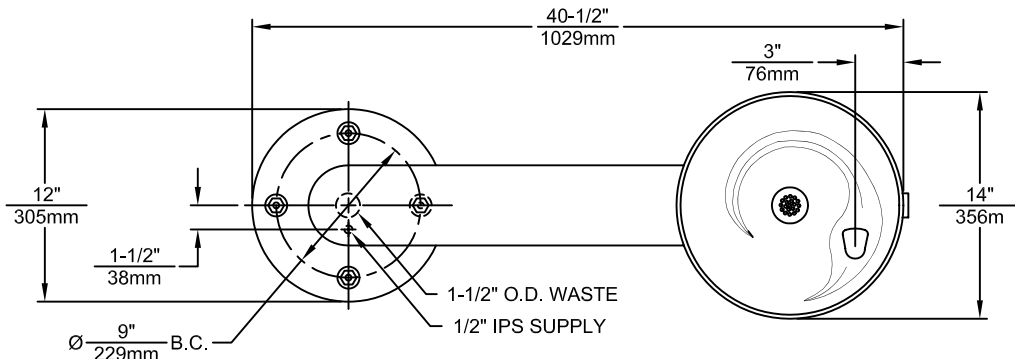


NOTES:

1. REFER TO 5874SS OPERATION AND MAINTENANCE MANUAL FOR PUSH BUTTON AND VALVE INSTALLATION/ MAINTENANCE INSTRUCTIONS.



Haws
corporation

1455 KLEPPE LANE
SPARKS, NEVADA 89431
(775) 359-4712 FAX (775) 359-7424
E-MAIL: HAWS@HAWS.CO.COM
WEBSITE: WWW.HAWS.CO.COM

ECN NO.	REVISED PER	BY:	MODEL(S):	PART NUMBER:
	ECN: 4177	HM	3380/3380G	0002077367.D
DRAWN:	DATE:	CHKD:	INFO FAX DOC #:	DRAWING NUMBER:
C HAYES	07/27/92		23380/233804	10253A00
APPROVED:	DATE:	SCALE:	DRAWING TYPE:	SIZE: A SHEET 1 OF 1
		1:1	INSTALLATION/FAXBACK	REV: 16

DRAWING NO. 10253A00