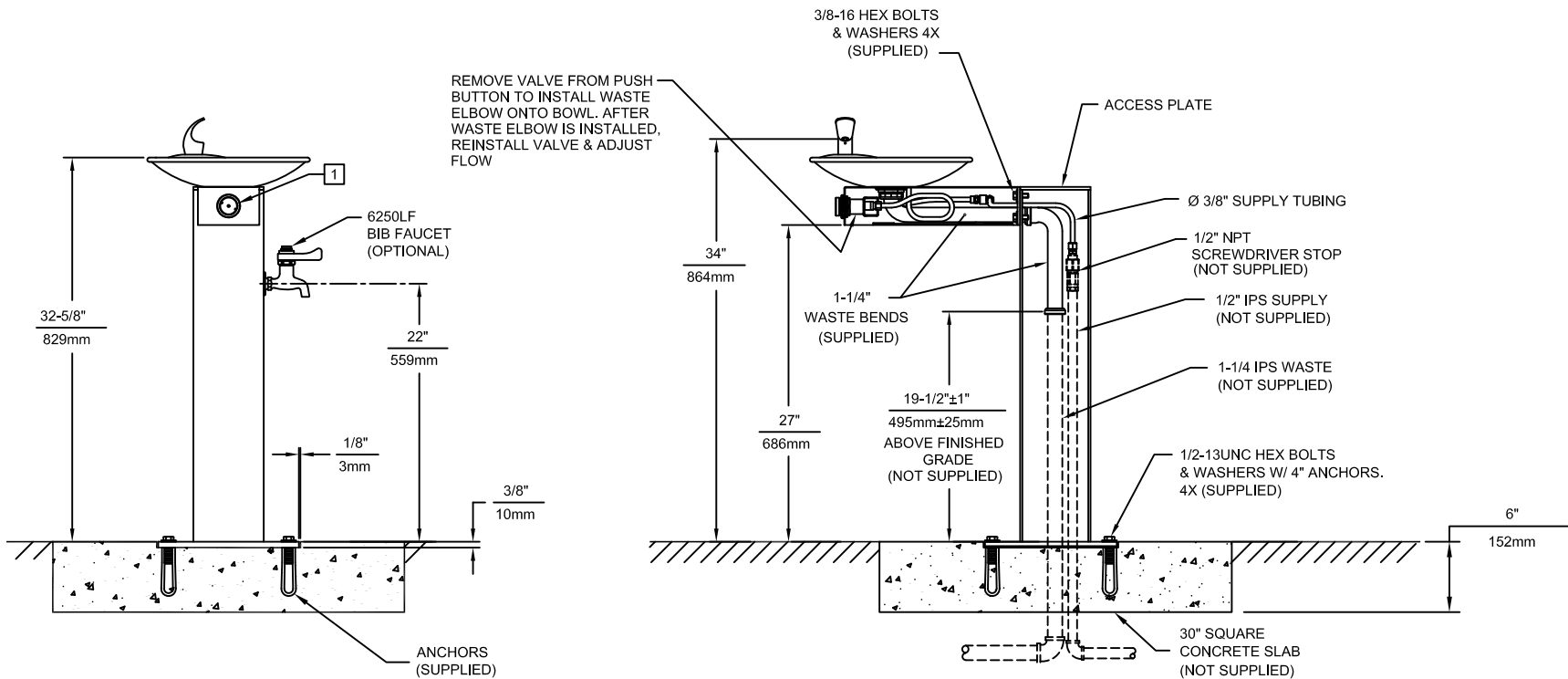
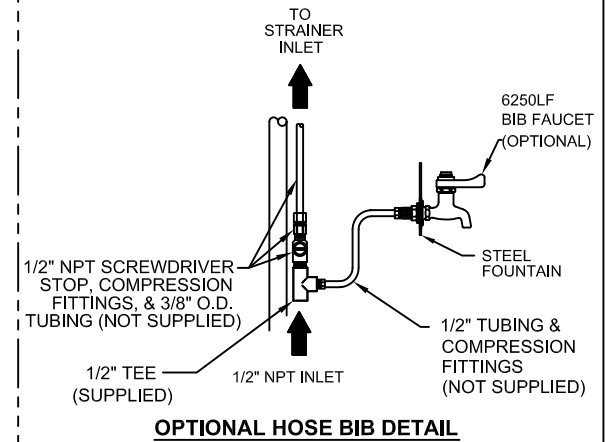
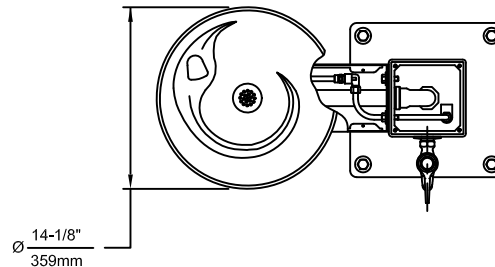
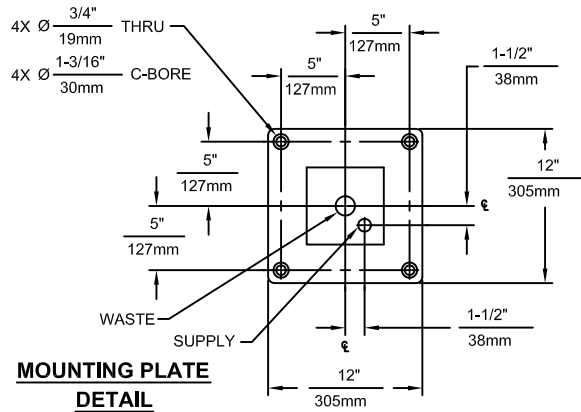


THIS DOCUMENT IS TRUE AND CORRECT AT TIME OF PUBLICATION. CONTINUED PRODUCT IMPROVEMENTS MAKE SPECIFICATIONS AND MEASUREMENTS SUBJECT TO CHANGE WITHOUT NOTICE.



1455 KLEPPE LANE
SPARKS, NEVADA 89431
(775) 359-4712 FAX (755) 359-7424
E-MAIL: HAWS@HAWS.CO.COM
WEBSITE: WWW.HAWS.CO.COM

ECN NO. REVISED PER BY:	ECN: 4646	HM	MODEL(S)	PART NUMBER
DRAWN: RTM	DATE: 05/97	CHKD:	3377/3377G	0002077364.D
APPROVED:	DATE:			DRAWING NO. 13066A00
		SCALE: 1:15	DRAWING TYPE: INSTALLATION	REV 11
			SIZE: A	SHEET 1 OF 1