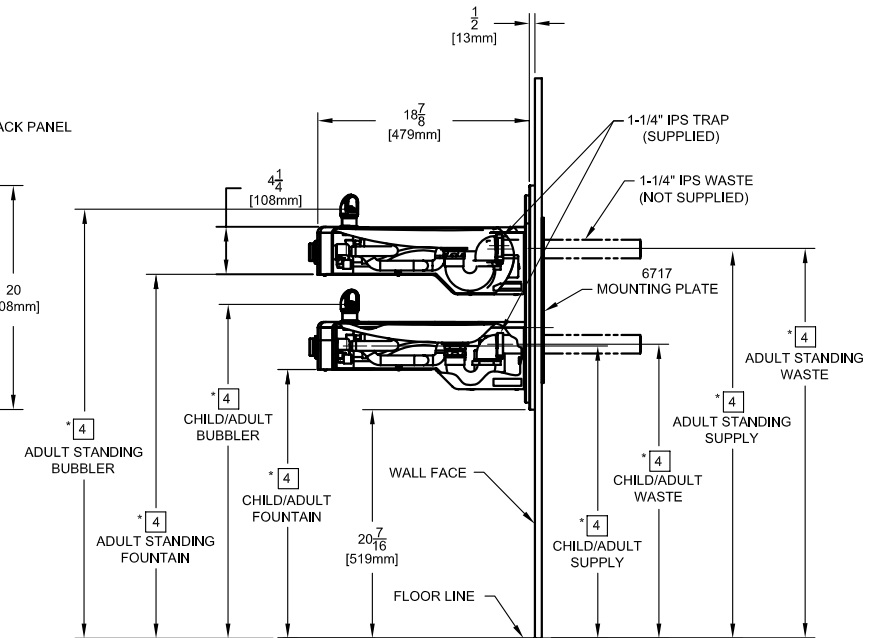
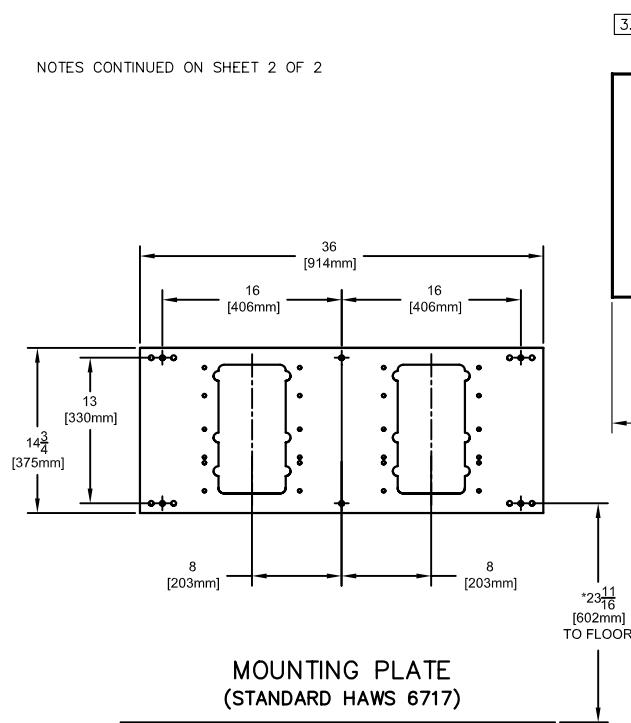
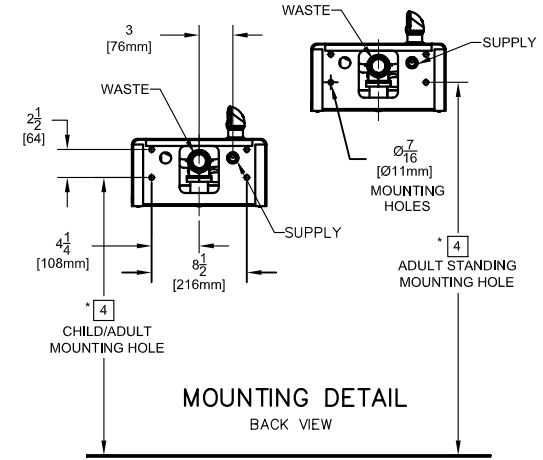
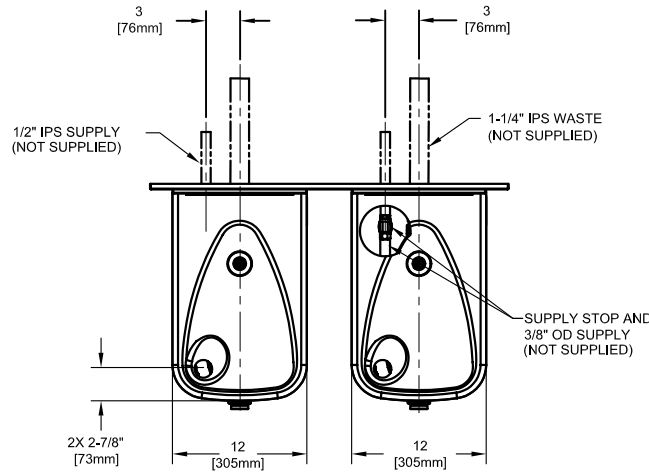


NOTES:

1. HOLD ROUGH-IN DIMENSIONS $\pm \frac{1}{8}"$ (3.2MM).
2. WHEN INSTALLING THIS UNIT, LOCAL, STATE, OR FEDERAL CODES SHOULD BE ADHERED TO. FOR INSTALLATION HEIGHTS OTHER THAN SHOWN, DIMENSIONS MARKED (*) MUST BE ADJUSTED ACCORDINGLY.
3. REFER TO 5874/VRK5874 OPERATION AND MAINTENANCE MANUAL FOR PUSH BUTTON AND VALVE INSTALLATION/MAINTENANCE INSTRUCTIONS.
4. ROUGH IN DIMENSIONS FOR FOUNTAIN HEIGHTS:
 - CHILD WHEELCHAIR HEIGHT: SEE SHT 2 FIG 1
 WASTE: 26-1/4" (667mm)
 SUPPLY: 26-1/8" (664mm)
 MOUNTING HOLE: 24-13/16" (630mm)
 FOUNTAIN: 24" (610mm)
 BUBBLER: 29-7/8" (756mm)
 - ADULT WHEELCHAIR HEIGHT: SEE SHT 2 FIG 2
 WASTE: 29-1/4" (743mm)
 SUPPLY: 29-1/8" (740mm)
 MOUNTING HOLE: 27-13/16" (706mm)
 FOUNTAIN: 27" (686mm)
 BUBBLER: 32-7/8" (832mm)
 - STANDING ADULT HEIGHT: SEE SHT 2 FIG 3
 WASTE: 34-3/4" (883mm)
 SUPPLY: 34-5/8" (879mm)
 MOUNTING HOLE: 33-5/16" (846mm)
 FOUNTAIN: 32-1/5" (826mm)
 BUBBLER: 38-3/8" (972mm)
5. REFER TO MODEL 1117L INSTALLATION DRAWING SHEET 2 OF 2 (ON HAWS WEBSITE WWW.HAWSCO.COM) FOR PERMISSIBLE BOWL MOUNTING PATTERNS. **TWO WHEELCHAIR HEIGHT FOUNTAINS CANNOT BE MOUNTED SIDE BY SIDE PER ANSI A117.1.**

NOTES CONTINUED ON SHEET 2 OF 2

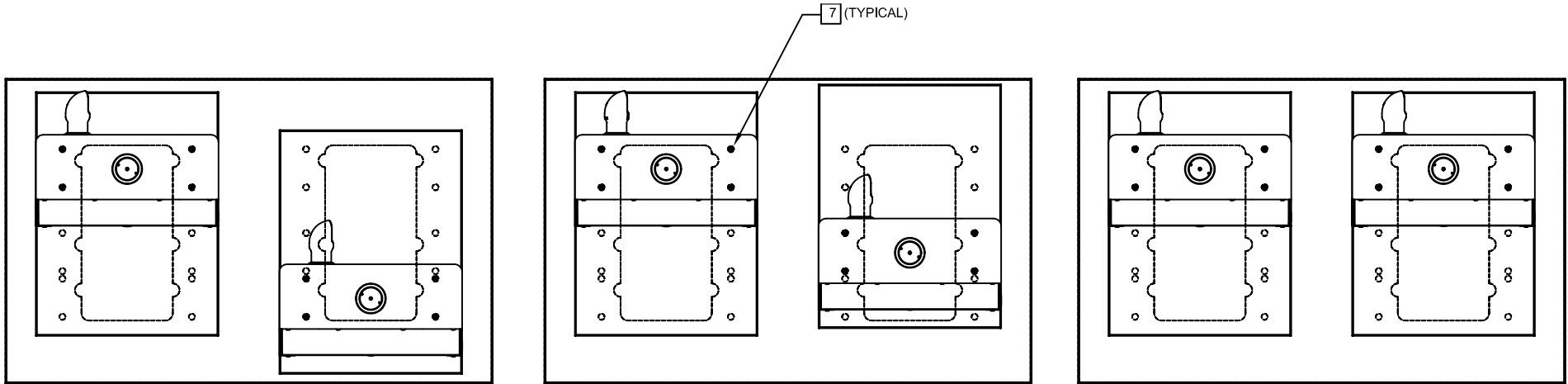


1455 KLEPPE LANE
 SPARKS, NEVADA 89431
 (775) 359-4712 FAX (755) 359-7424
 E-MAIL: HAWS@HAWSCO.COM
 WEBSITE: WWW.HAWSCO.COM

ECN NO. REVISD PER BY:	ECN: 4603	HM	MODEL(S)	1117L	PART NUMBER	0002080223.D
DRAWN:	DATE:	CHKD:			DRAWING NO.	15269A00
C. FENNER	10/06				REV	11
APPROVED:	DATE:		SCALE: 1:1	DRAWING TYPE: INSTALLATION	SIZE: A	SHEET 1 OF 2

NOTES:

- 6. FIGURES 1 AND 2 ARE REVERSIBLE. CAN BE RIGHT OR LEFT SIDE HIGH.
- 7. USE SHADED HOLES TO MOUNT AT INDICATED POSITIONS BASED ON COMBINATION SELECTED (FIGS. 1 THRU 3).
- 8. REFER TO SHEET 1 OF 2 NOTE 4 FOR INSTALLED FOUNTAIN DIMENSIONS.



6
FIGURE 1.
ADULT STANDING/CHILD WHEELCHAIR

6
FIGURE 2.
ADULT STANDING/ADULT WHEELCHAIR

FIGURE 3.
ADULT STANDING/ADULT STANDING

BOWL MOUNTING PATTERNS

			1455 KLEPPE LANE SPARKS, NEVADA 89431 (775) 359-4712 FAX (755) 359-7424 E-MAIL: HAWS@HAWS.CO.COM WEBSITE: WWW.HAWS.CO.COM	
ECN NO.:	REVISED PER:	BY:	MODEL(S)	PART NUMBER
	ECN: 4603	HM		0002080223.D
DRAWN:	DATE:	CHKD.:		DRAWING NO.
C. FENNER	12/29/06		1117L	15269A00
APPROVED:	DATE:		SCALE: 1:1	DRAWING TYPE: INSTALLATION
				SIZE: A SHEET 2 OF 2